

M binding solutions

**Bookbinding Parts
& Consumables**



221-145-BG01



219-733-BG01



212-349-0100



Bushing01



212-273-0100



204-268-BG03



F601



204-306-BG01



220-098-01
220-098-02



212-334-BG01



212-350-BG01



218-906-BG01



Bushing02



Marble cup 35mm



Marble Cup For MBO



203-599-BG04
(25mm)



203-599-BG01
(35mm)



10.5125.02 MBO



Plate Clamp Levers



204-306-BG01



233-002-0100



228-146-0100



233-028-0100



Hand Wheel



M8x6mm Brass Tipped Screws
M8x8mm Brass Tipped Screws



235-125-0100



INA 213584 bearing



Marble Steel / Plastic
20mm, 25mm, 35mm



F602



Press roller



Belt Roller



F603



F604



F605



Carbon Vanes



Pull-Out Wheel Assembly

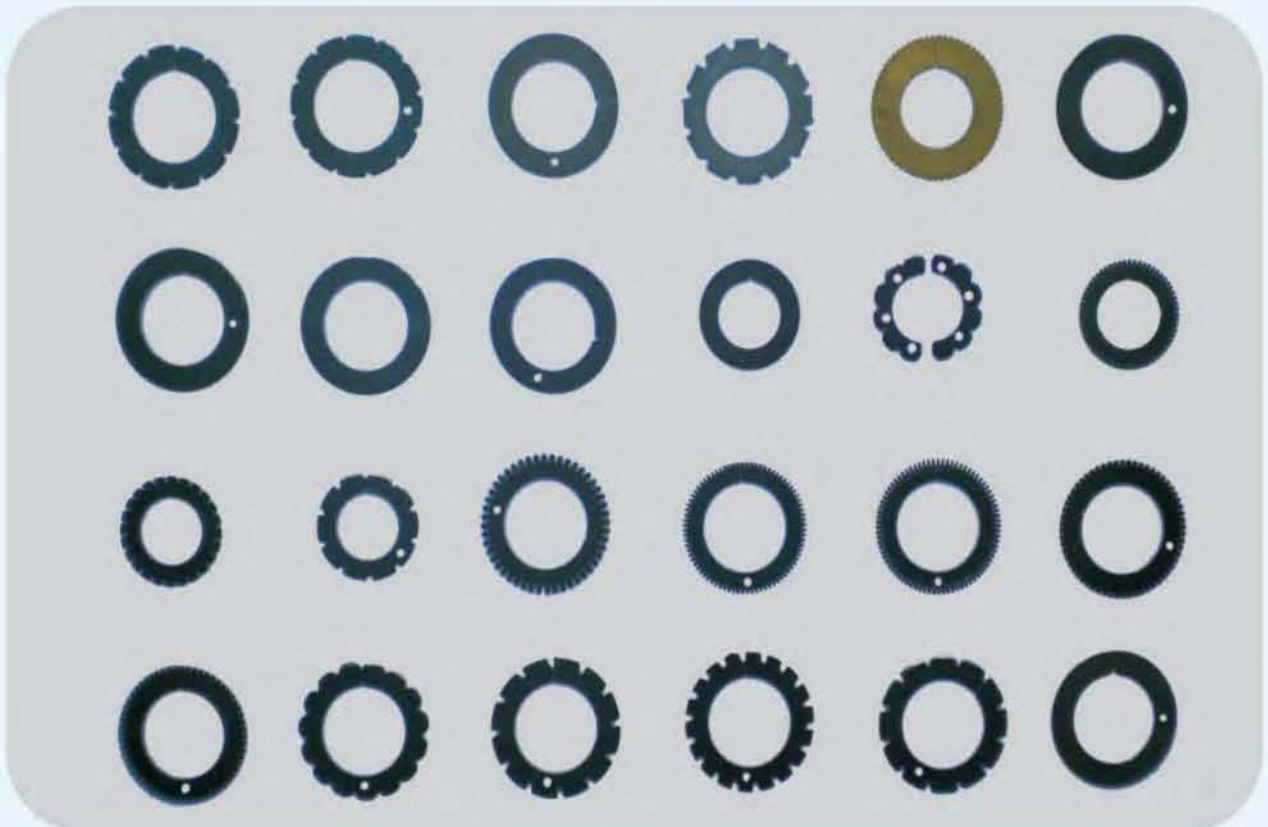


Belt (Original / Replace)



260mm

190mm



Perforator-Slitter-scoring
Blade For STAHL/MBO/SHOEI

Muller Martini



3215.3013.2



Spring

Polygraph



3215.2463.4



3215.2029.3



3215.3115.4

Ishida



Screw



3210.3152.3



3210.2788.4



MARTINI



3210.2929.3



3210.2320.9



3210.2203.3



3210.3542.2



Booksewing Thread



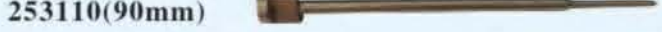
3663.1635.4



3257



(3257) 3258.0909.1



Organ Needle



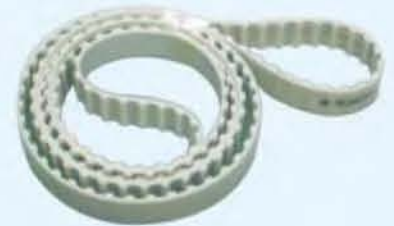
G970033



253743



069493



40485



69157



069992



HEA-5-3281



970138



251258



71288



G252152
G252153



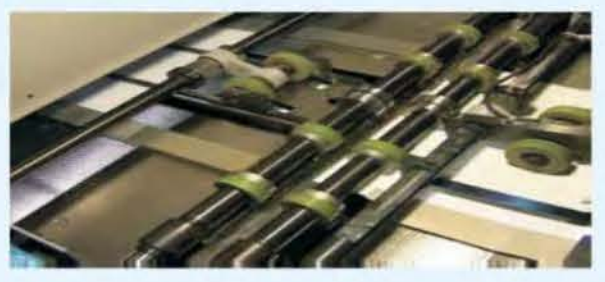
714317



SCORING WHEEL

We Can Offer Scoring wheel for follow machine

- Amigo (1580)
- Tigra (1570)
- Normbinder (3001/3002)
- Starbinder (3006)
- Corona (3010)
- Acrona (3026/a5/a7)
- Trendbinder (3009)



Milling Knife



3009.5553.3



0896.1112.4



0896.1108.4



1580.2146.4



445101



493216



3000.5473.4



3050.8950.4



64X14X4



71X14X3.5



72X14X4



44.5X18.6X7



00418410
20.8X8X5



3011.4240.4



3009.6987.4



3000.5516.4



50X15X3



50X14X3.5



45X15X2.8



44X14X3.5



0441.1454.4
0441.1455.4



39X8X7



60X18X5



3011.2078.4



178X64X42T



3009.5053.2



3000.5516.2



3000.4440.2



0235.3225.2(1340.2)
0235.3224.2(1302.2)



① 0235.1156.3
② 0235.1157
③ 0235.1158



Presto
1550.5511.3
1550.5512.3



Presto
1550.5510.3



OSAKO
OS-612KL1063-1
OS-612KL1063-2



0235.1325.4



0039.9021 /0031.0322



① 2163-916-0100
② 410251
③ 2163-928-0100



1529.1004.4



1528.1067.4



1529.1003.4
(1300x2mm)



1528.1066.4
(950x2mm)



890.1007.3



241.0915.3



890.1526.3

Saddle Stitching Parts



0361.3197.4



0361.3198.3



890.1527.3



889.0726.4



0890.4402.4



0888.0409.4
0306.1116.4
0306.1115.4



0888.0115.3



0210.0695.4



1294.5041.4



0300.3862.3
0300.2031.2



0890.0804.4
0890.4428.3



115010101



2142-9550100



1553.1489.3



0888.0305.3



Sucker Holder
S701



1516.1015.4



1550.5509.4



1550.5515.4



1550.5514.3



Spring
20x10x1mm
30x10x1mm
40x10x1mm

0249.1033.4



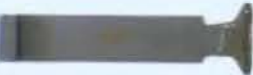
0305.2155.3



0881.0123.4



0881.0351.3



1550.3023.3



0881.4101.3



① ② ③ ④

① 0881.0016.4
 ② 0881.0014.3
 ③ 0881.0326.3
 ④ 0881.0015.4



0881.0037.4



0881.4022.3



0881.4008.2
 0881.0368.3



0881.8358



0881.0330.4



0881.0058



0881.0125.3



0249.1062.3
 0249.1061.4



0881.0011.4
 0305.2030.4



0881.0197.4
 0881.0198.4



0881.0013.4
 0881.0017.4

Stitching Head & Spare Parts



0305.2110.3



(0249.1050.3)



0881.0372.4



0881.0428.3



0881.4120.3



0881.0003.4

0034.0102



0034.2252



0034.2152



0030.9016



0881.0140.3



0881.0042.3



0881.0040.3



0305.2028.4



0881.8372



0881.8339



0881.8334



0881.8331



0305.2054.3A



0305.2009.3



0881.0051.4

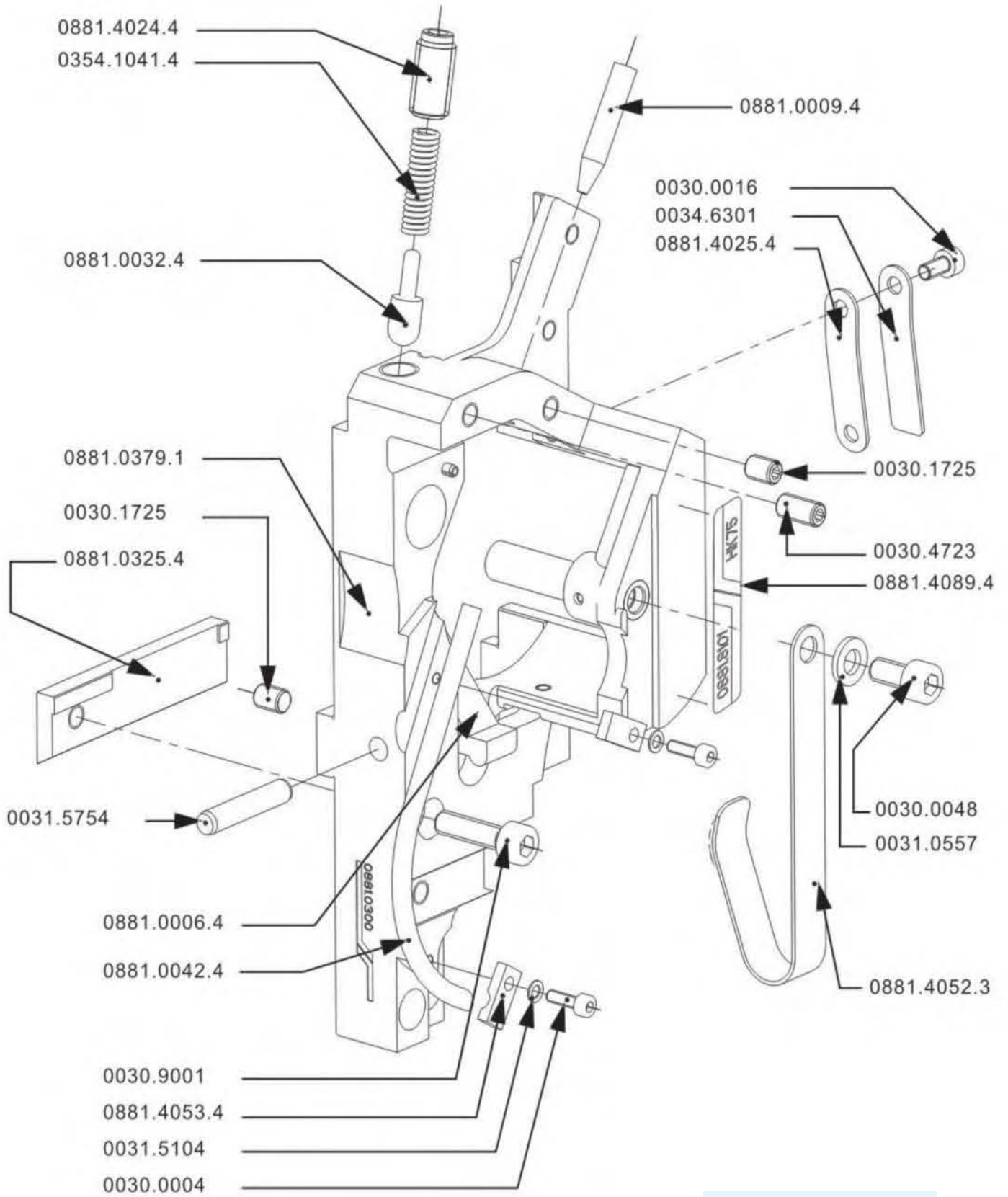
0881.4052.3



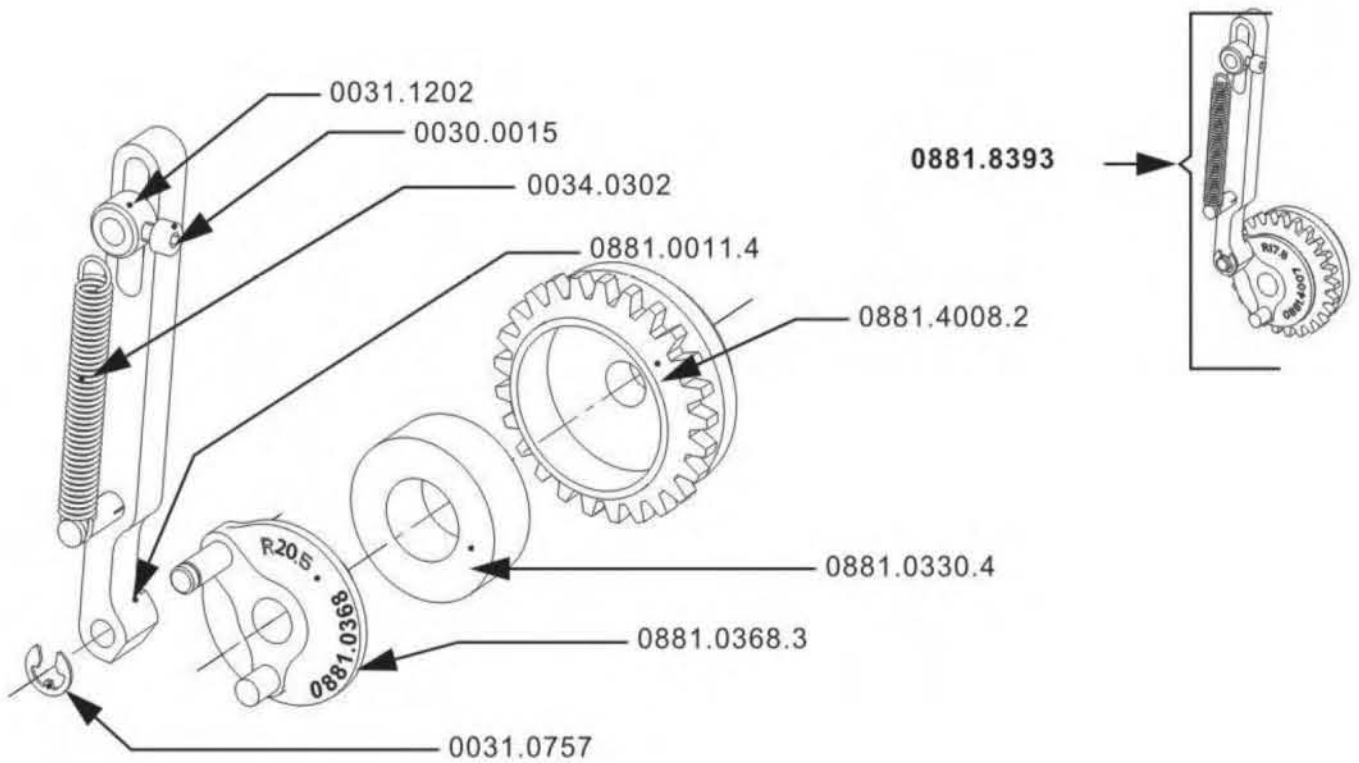
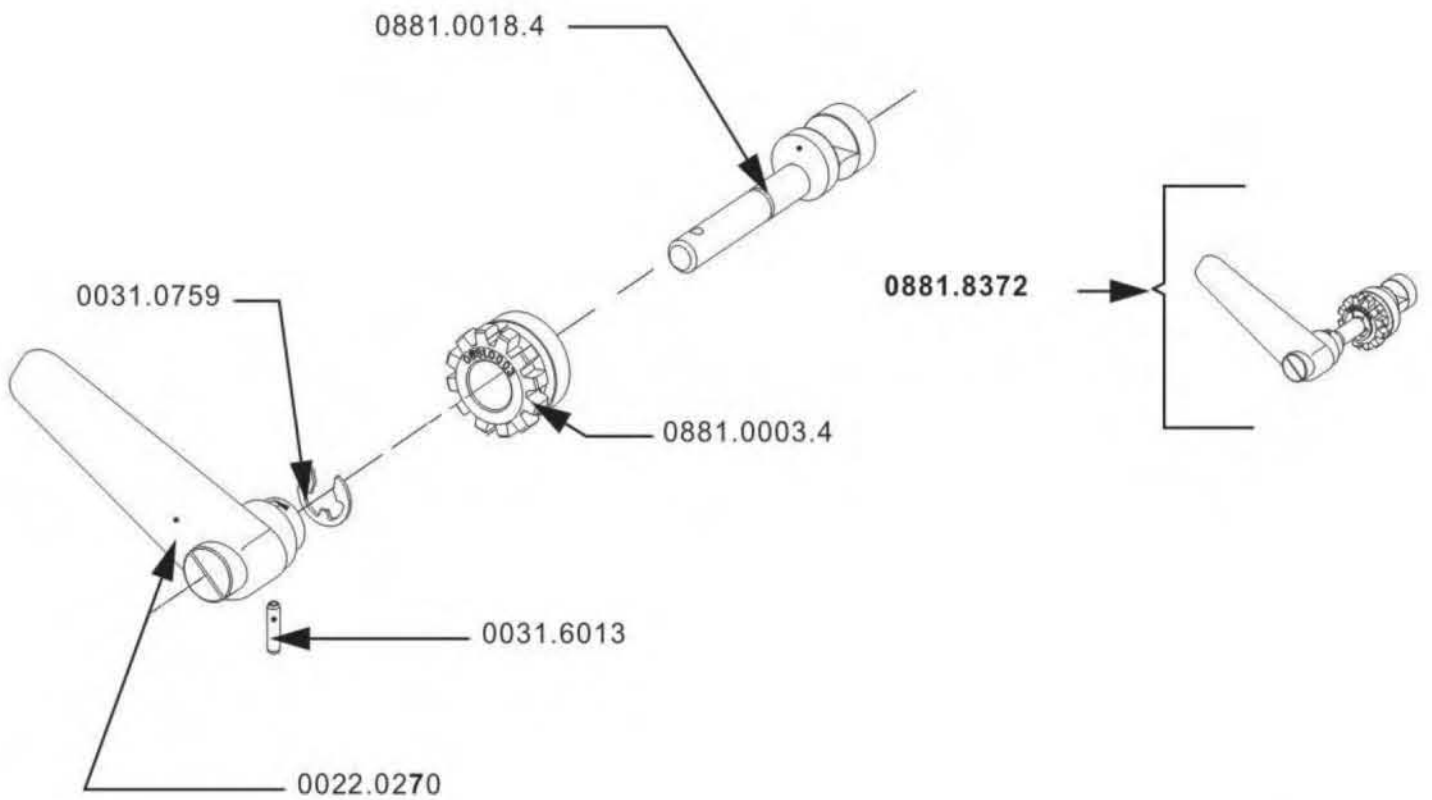
0034.6302

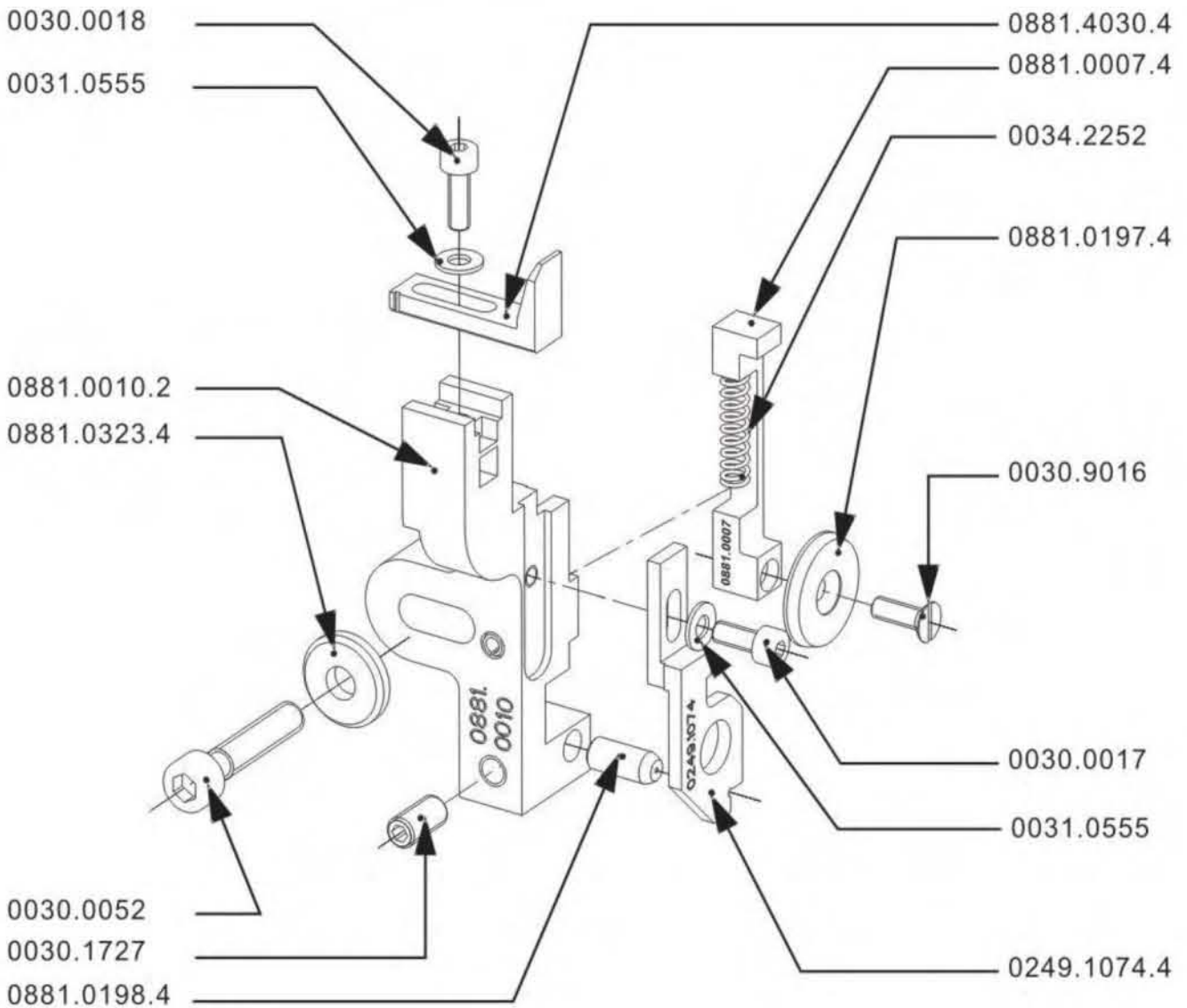
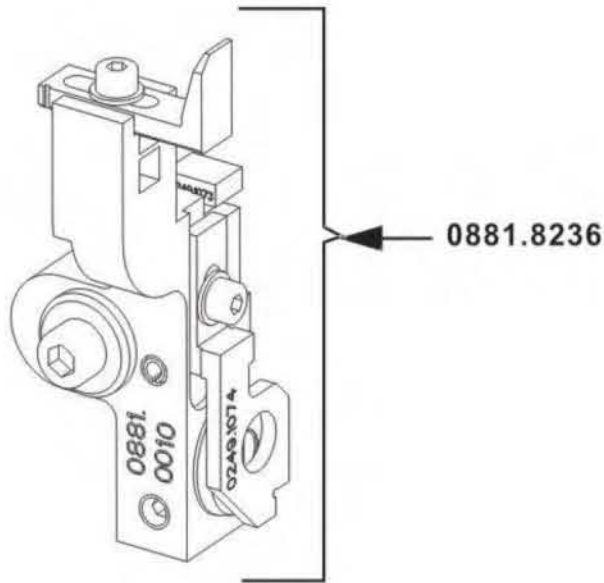
0034.6301



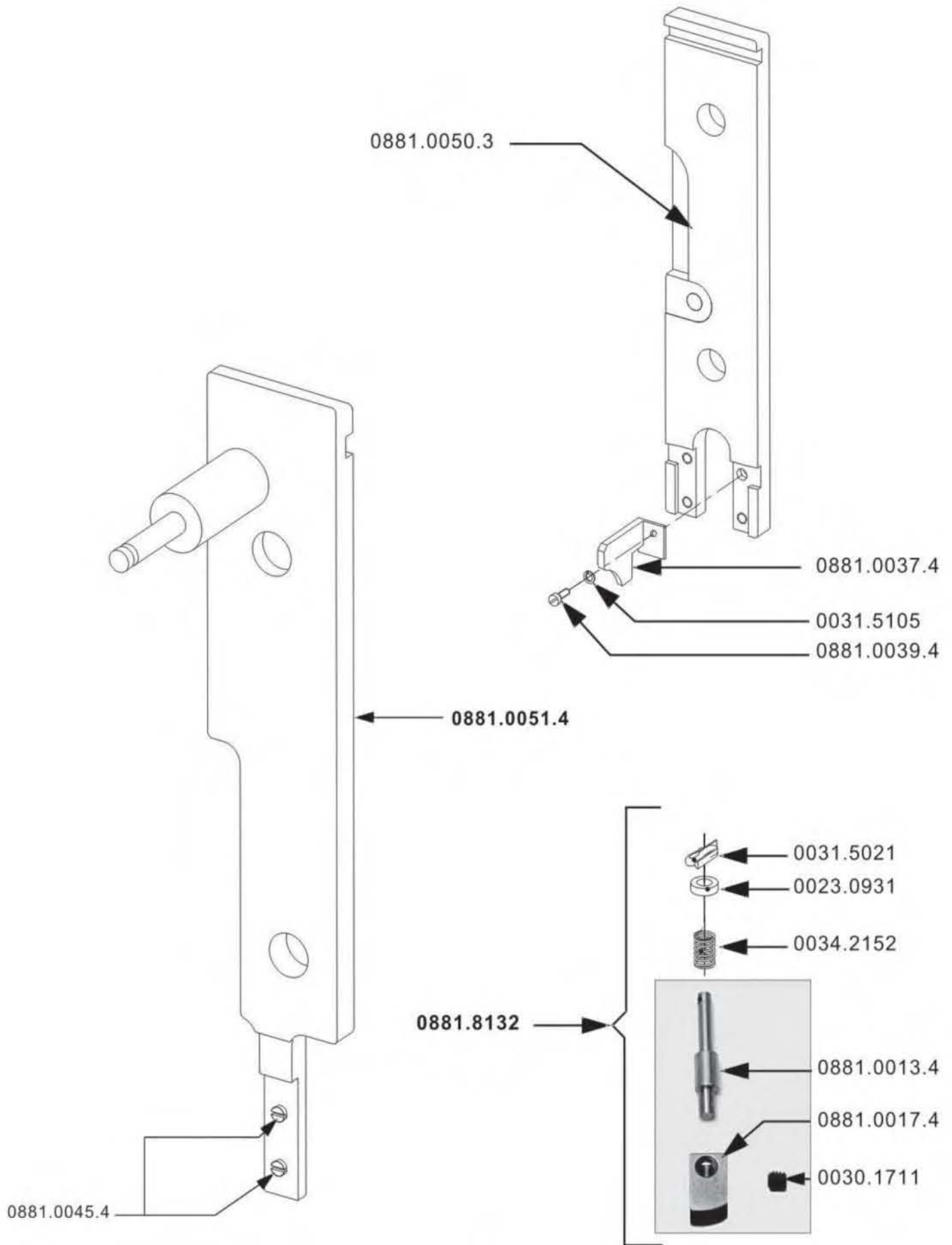


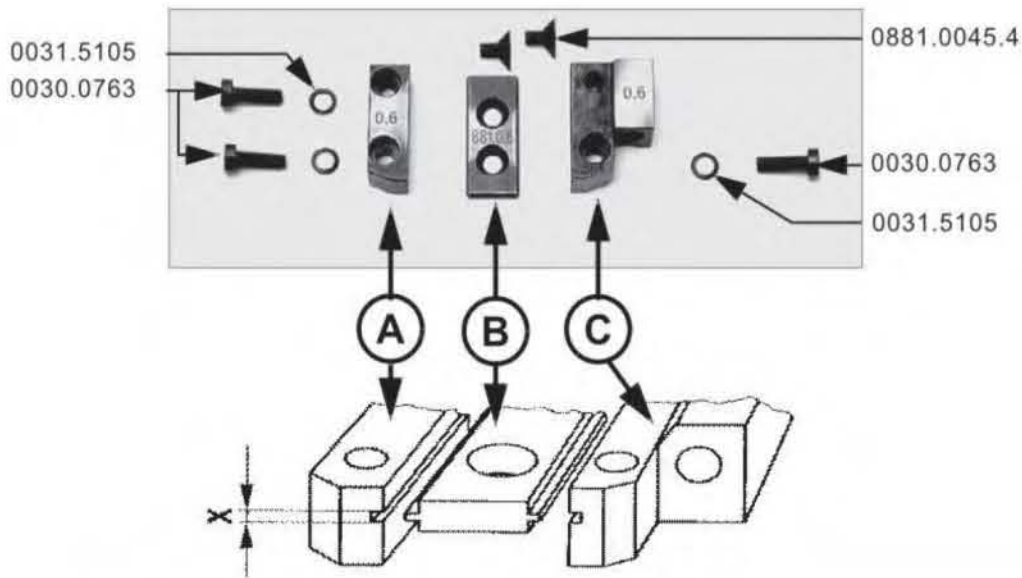
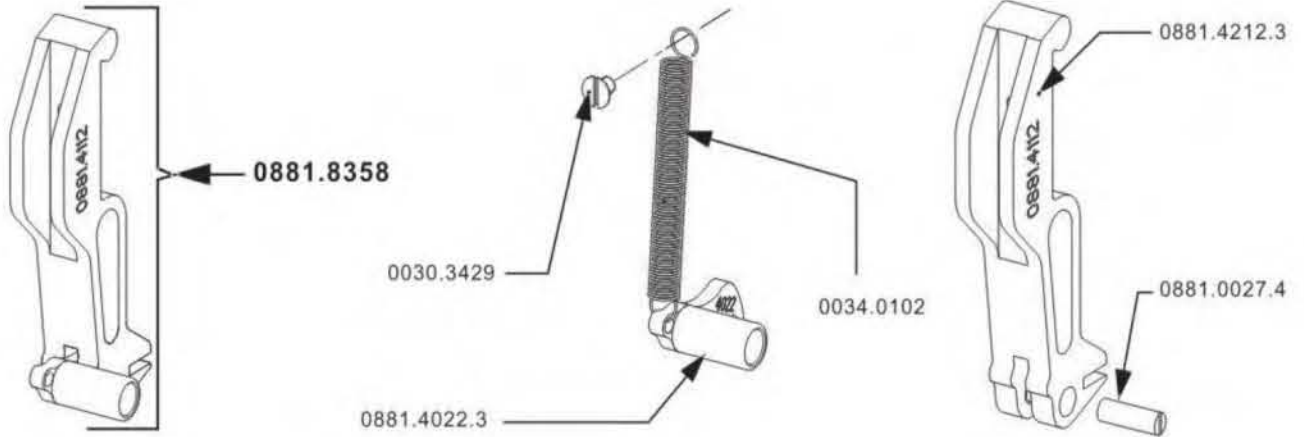
Spare Parts for 75 Stitching Heads





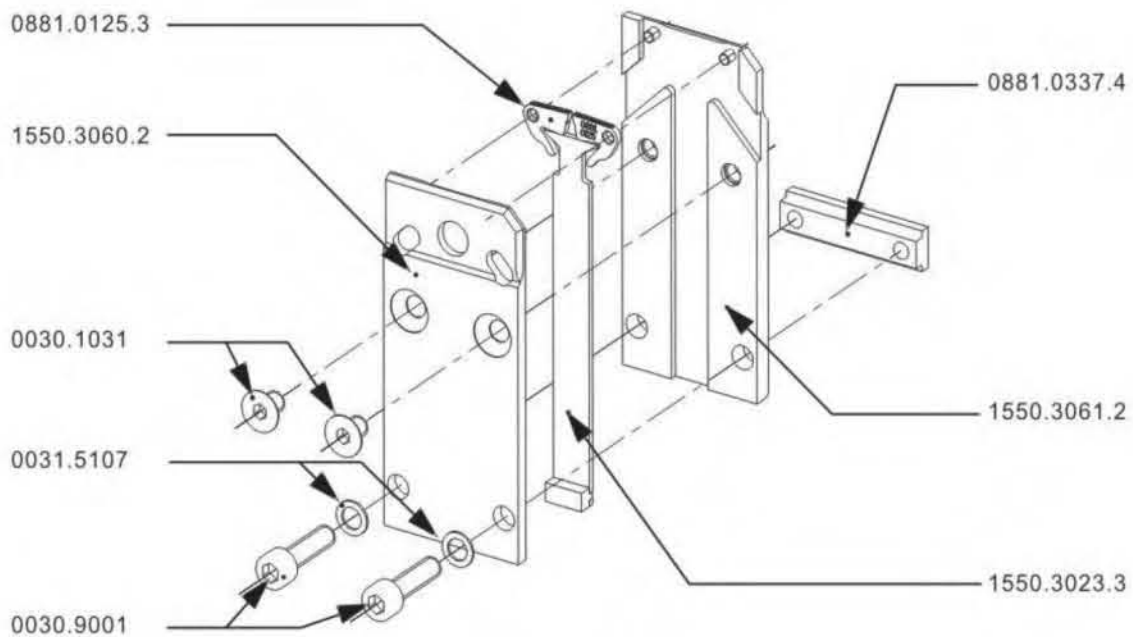
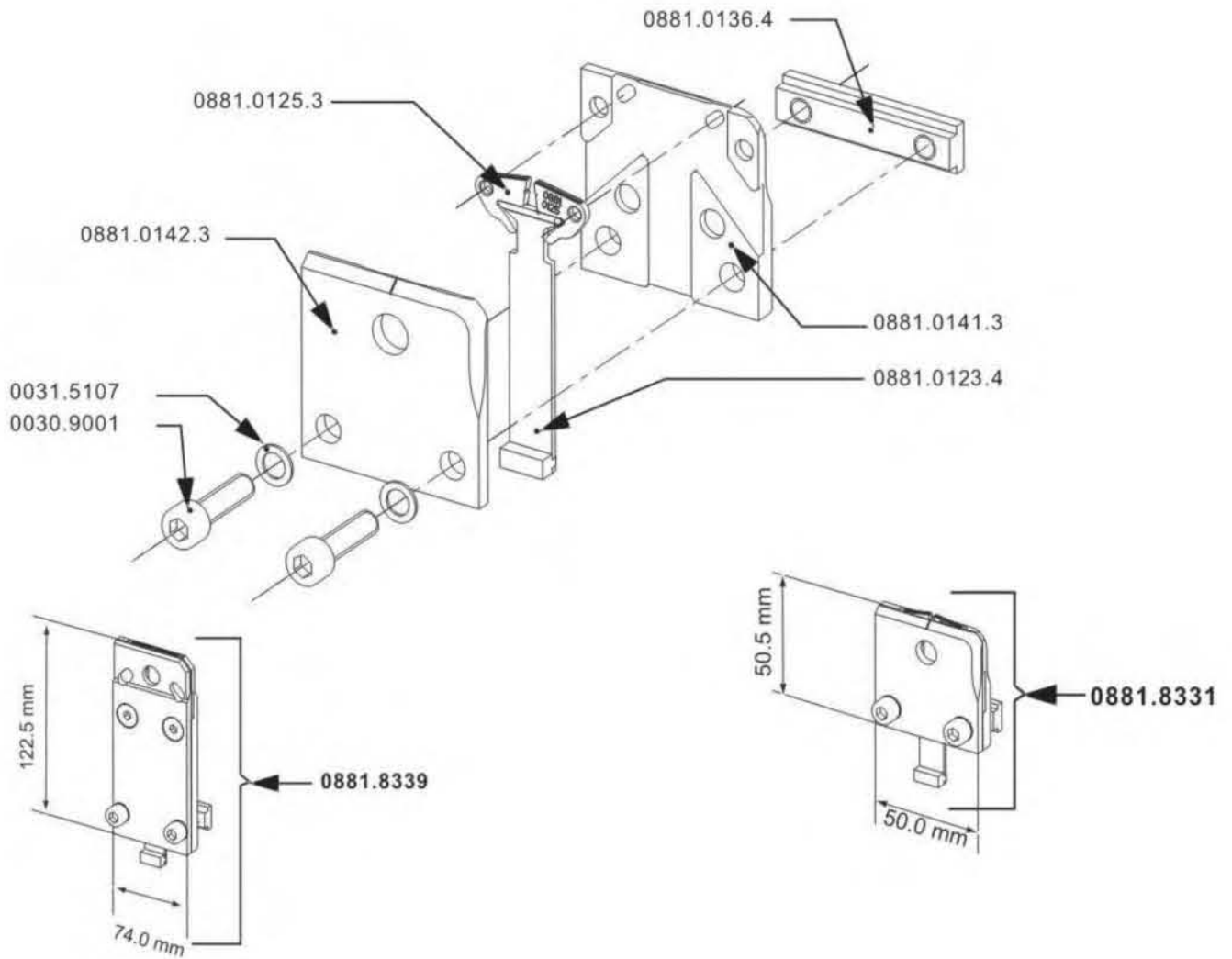
Spare Parts for 75 Stitching Heads

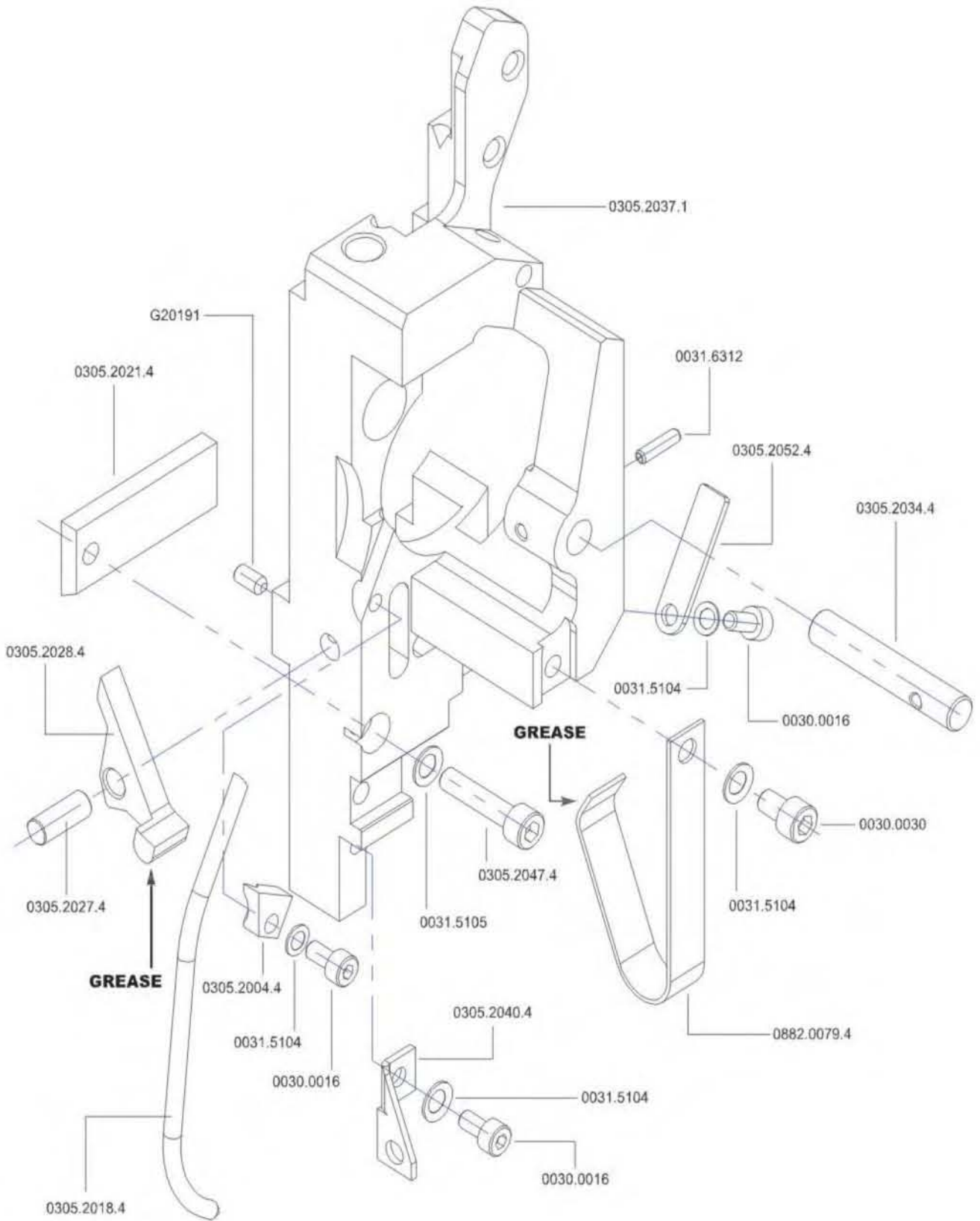




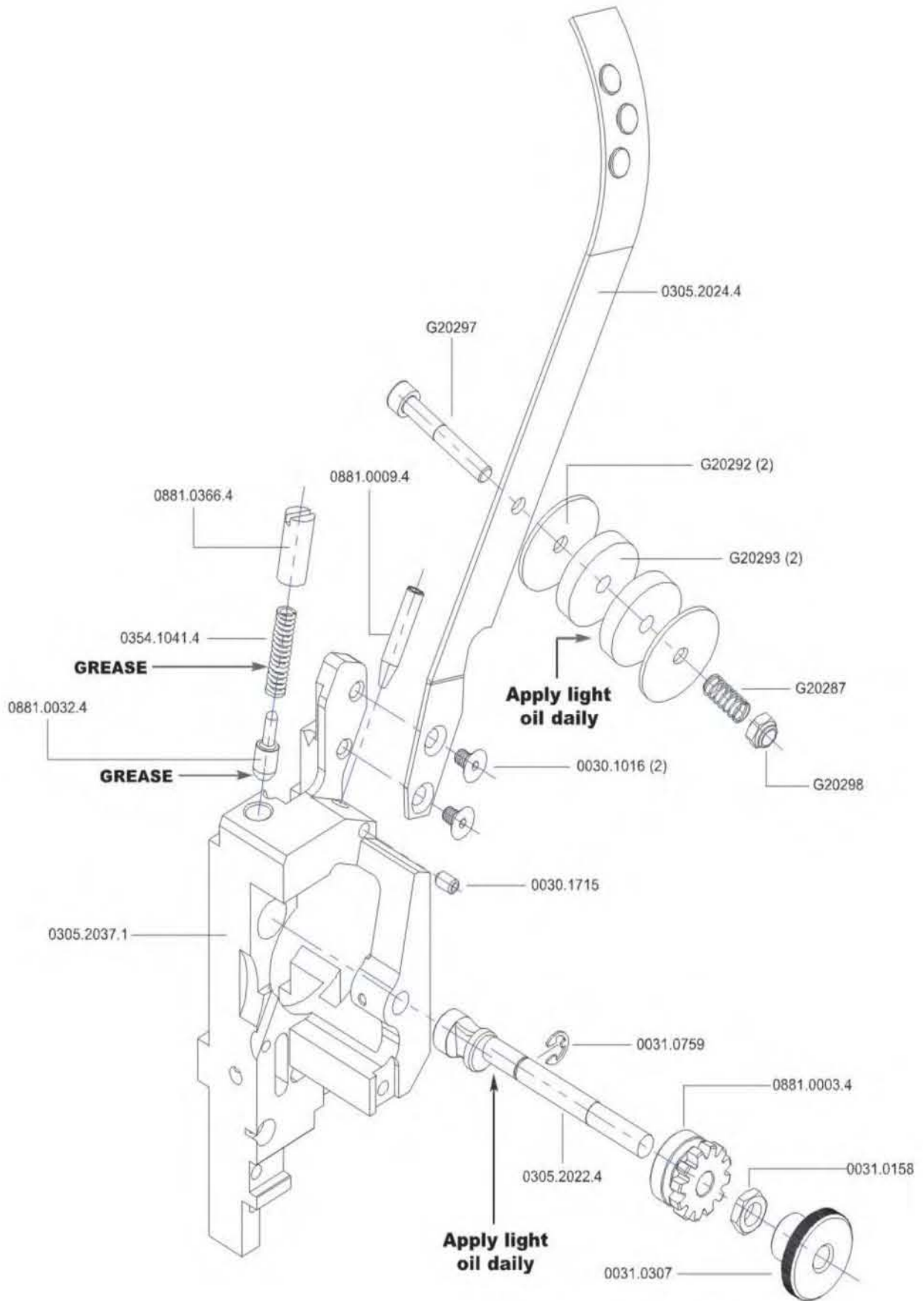
	Standard	Option	Опция
	0881.8152	0881.8153	0881.8154
	X = 0,6 mm	X = 0,8 mm	X = 1.0 mm
	Draht Nr.25-28 (0,55-0,4 mm) wire size no. 25-28 (0,55 - 0,40 mm) проволока № 25-28 (0,55 - 0,4 мм)	Draht Nr.22-24 (0,75-0,6 mm) wire size no. 22-24 (0,75-0,6 mm) проволока № 22-24 (0,75 - 0,6 мм)	Draht Nr.20-24 (0,88-0,6 mm) wire size no. 20-24 (0,88-0,6 mm) проволока № 20-24 (0,88 - 0,6 мм)
(A)	0881.0016.4	0881.0184.4	0881.0152.4
(B)	0881.0014.3	0211.0039.3	0881.0153.4
(C)	0881.0015.4	0881.0185.4	0881.0151.4

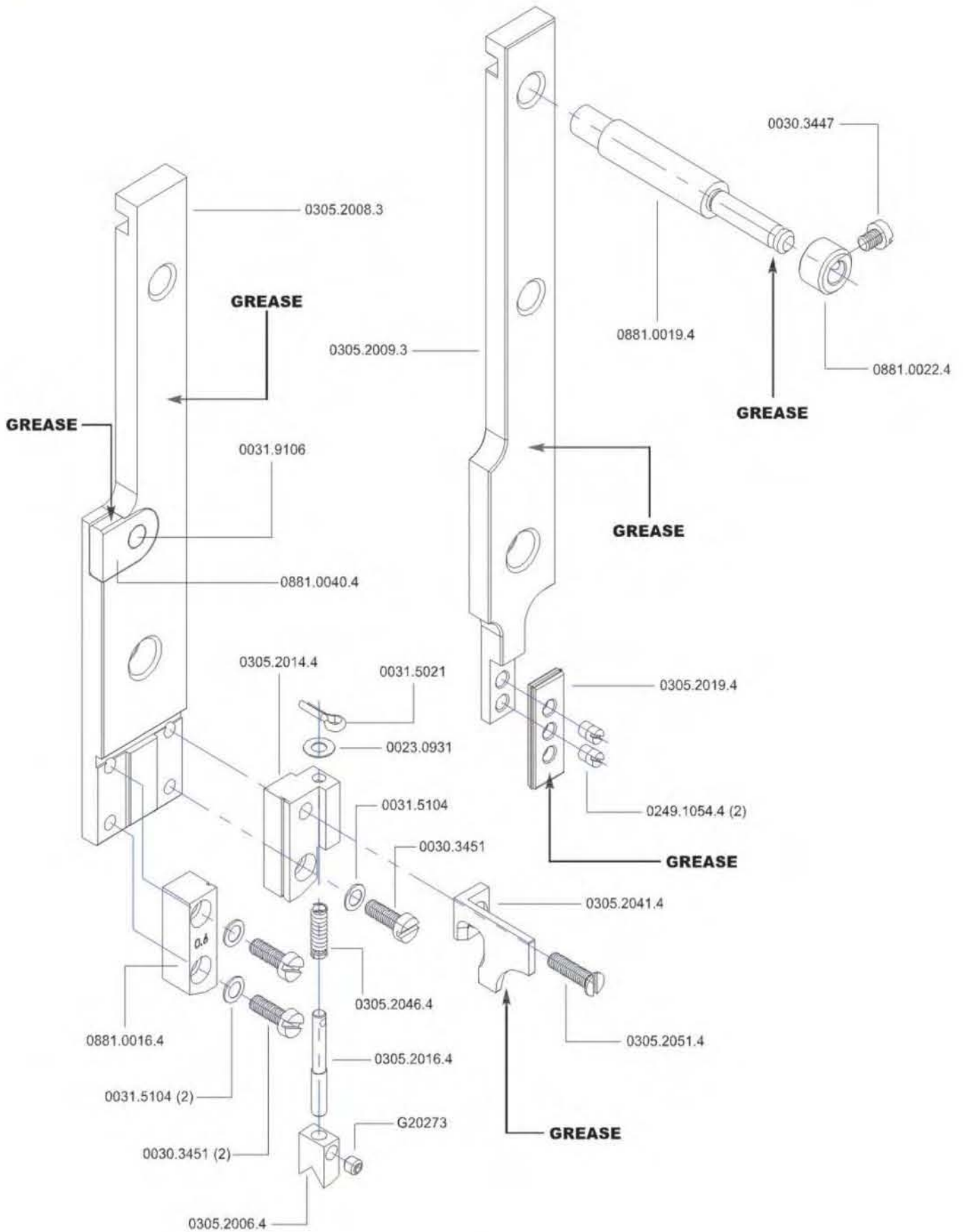
Spare Parts for 75 Stitching Head



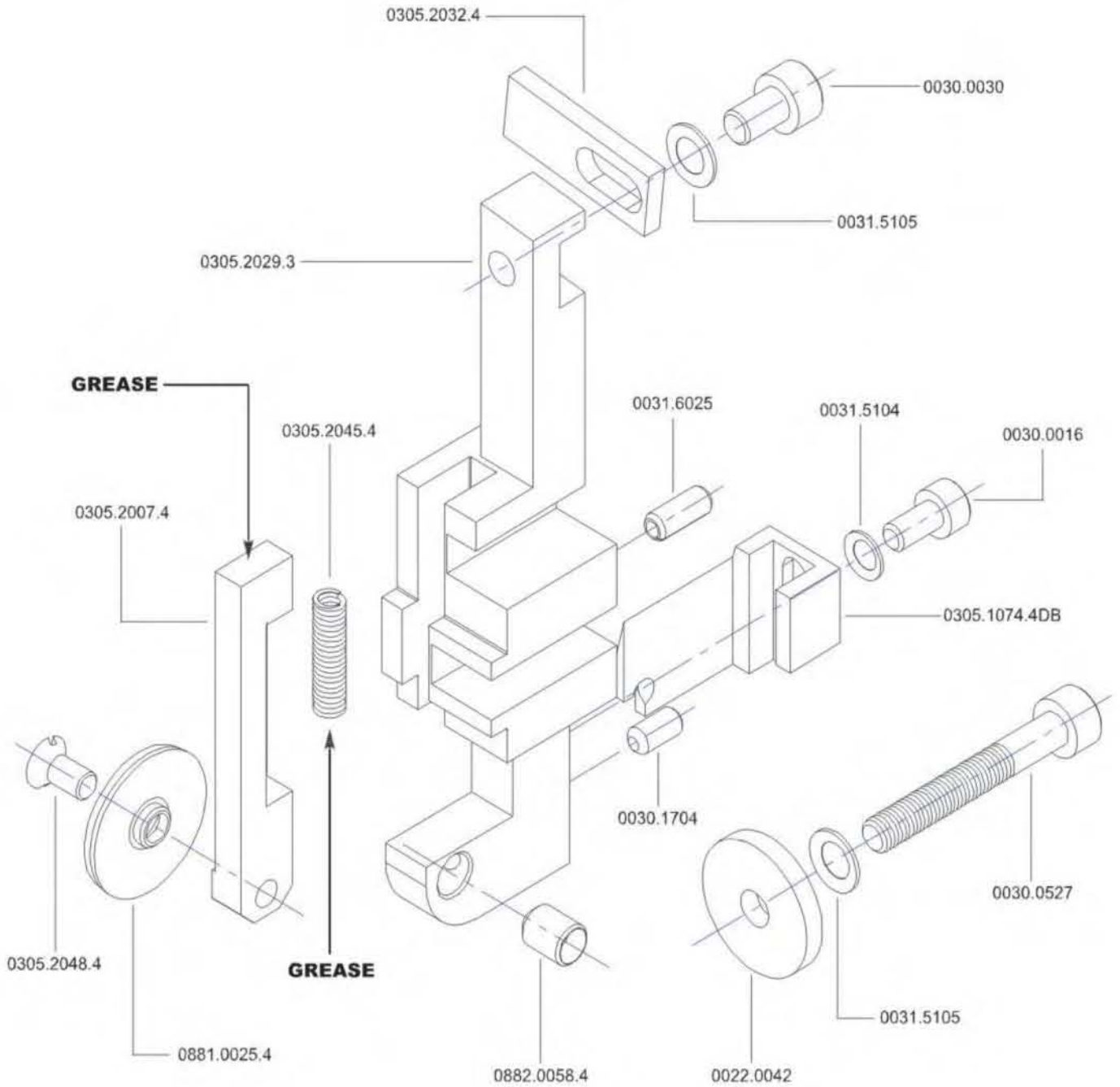


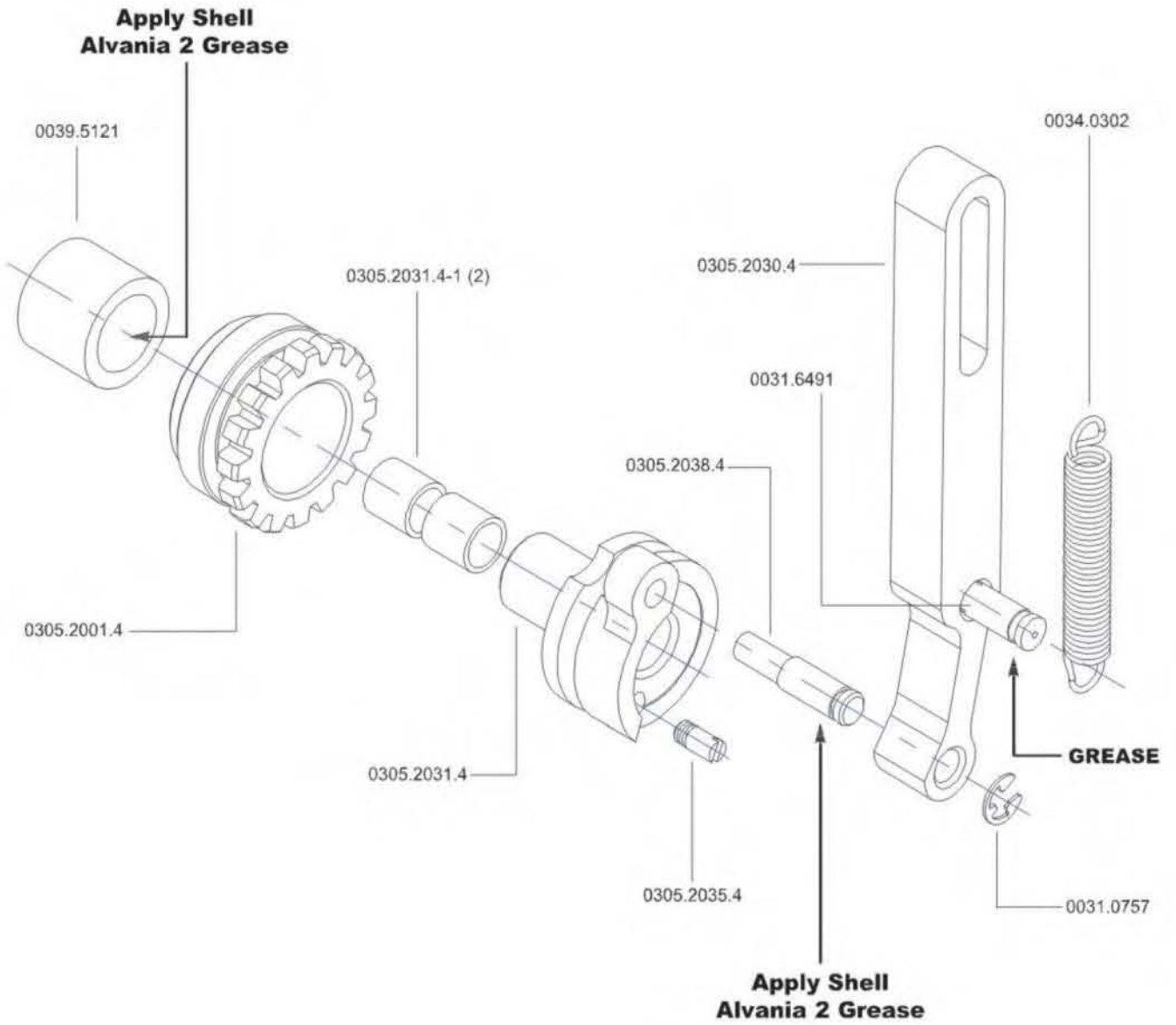
Spare Parts for 45 Stitching Head



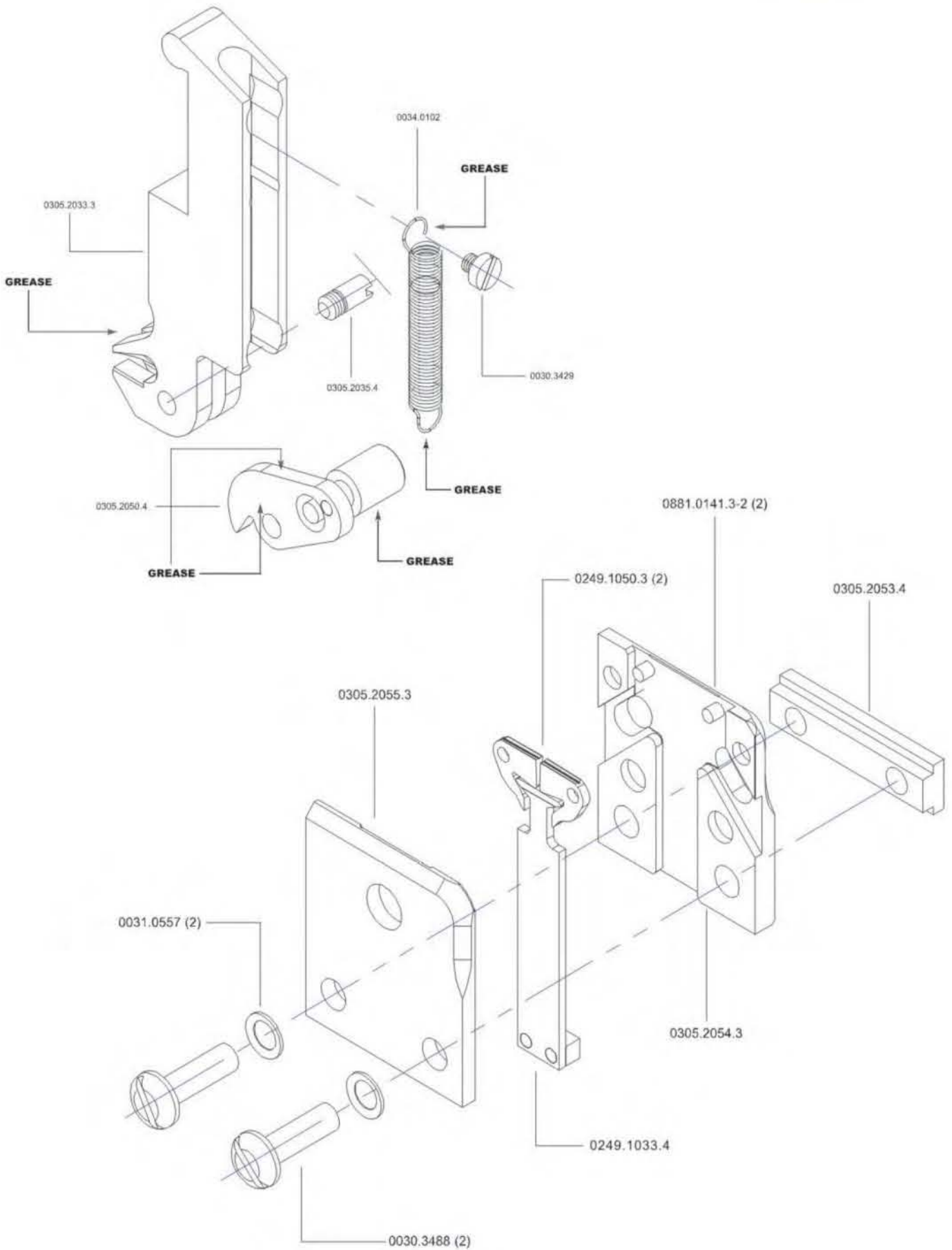


Spare Parts for 45 Stitching Head





Spare Parts for 45 Stitching Heads





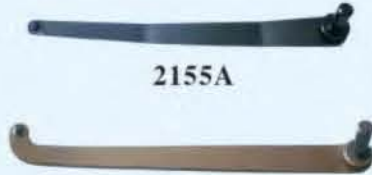
CA9075



CT413A



CA9048



2155A

CAA9046D



CAAA9013U



CAA9014J



26D



M2000



CA9012M



CA9015D



CAA9038M



CAA9038E



CAA9012G



CA9083A
M200



M2000



CAA9026F



CAA9026



CA9009F

Stitching Heads and Spare Parts



OSAKO S80



OSAKO S50



OSK119A



OSK125M



OSK108



OSK129A-ASSY



OSK117M



OSK116M



OSK119-C



OSK132



- ① OSK118
- ② OSK120A
- ③ OSK119M



OSK138



OSAKO OSK142



OSAKO



OSAKOS-50
OSK113M



OSAKO



OSK127



OSAKO
S-50

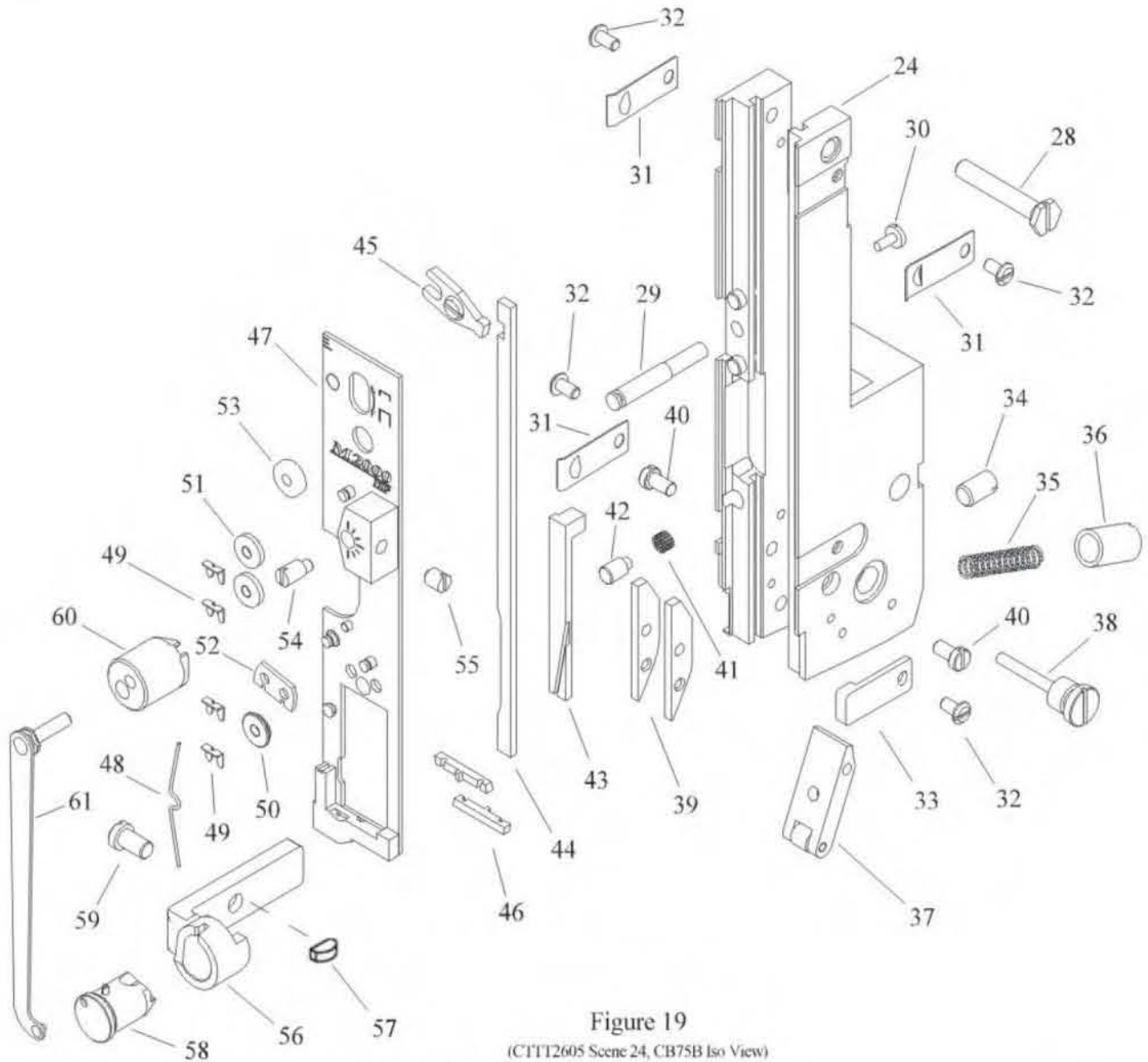
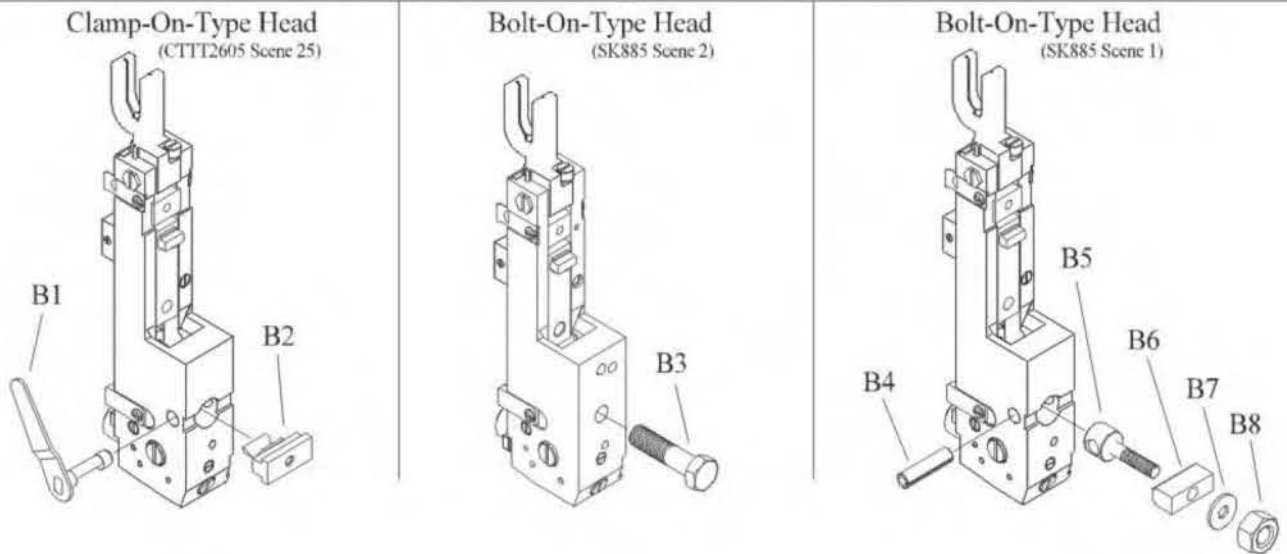
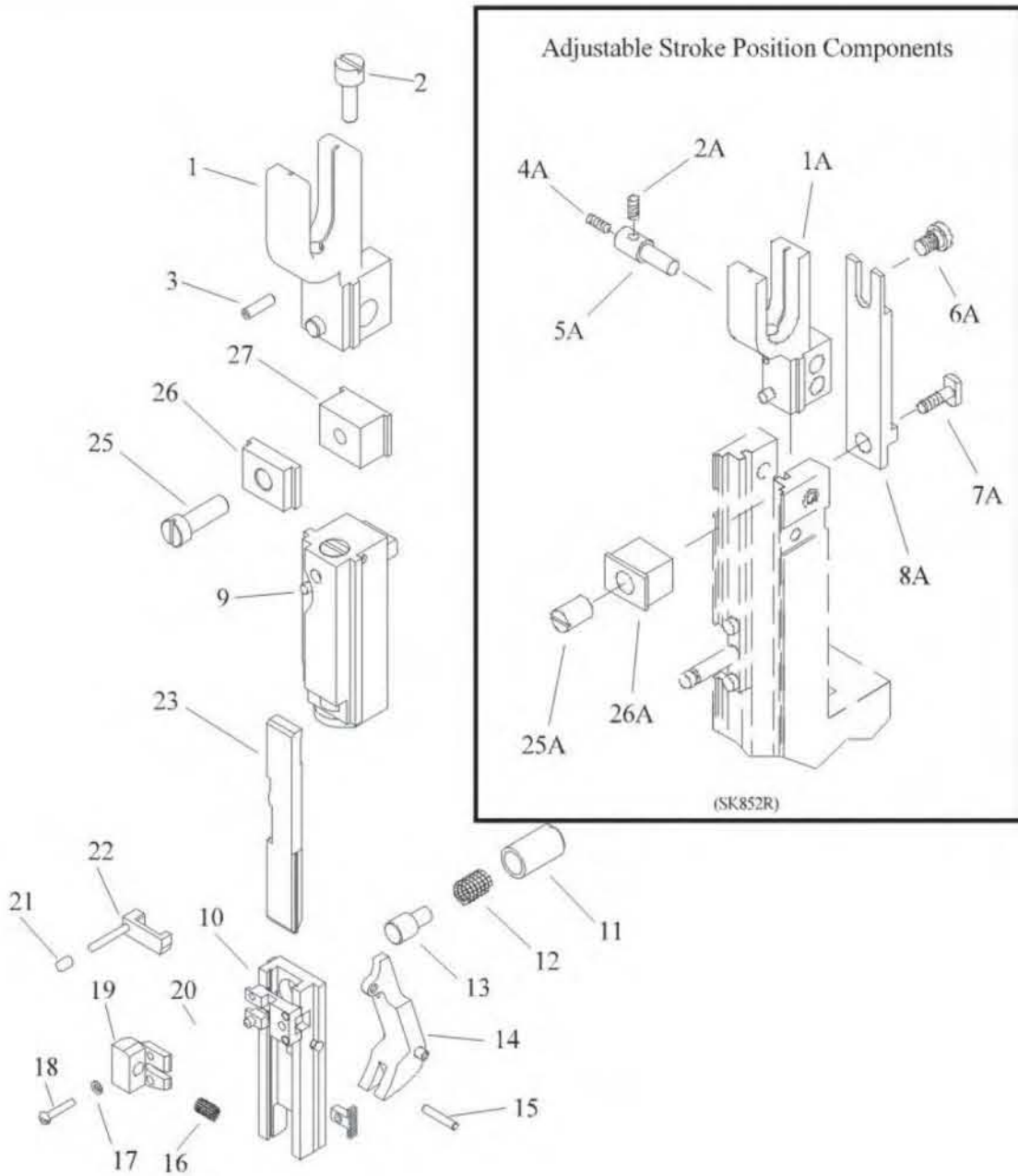


Figure 19

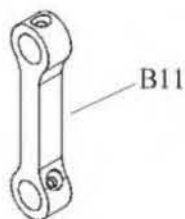
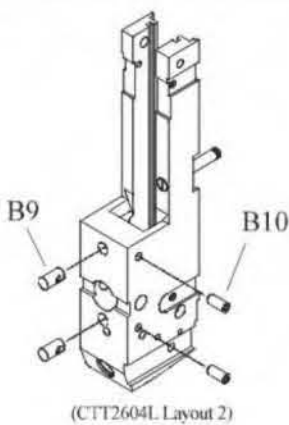
(CTTT2605 Scene 24, CB75B Iso View)

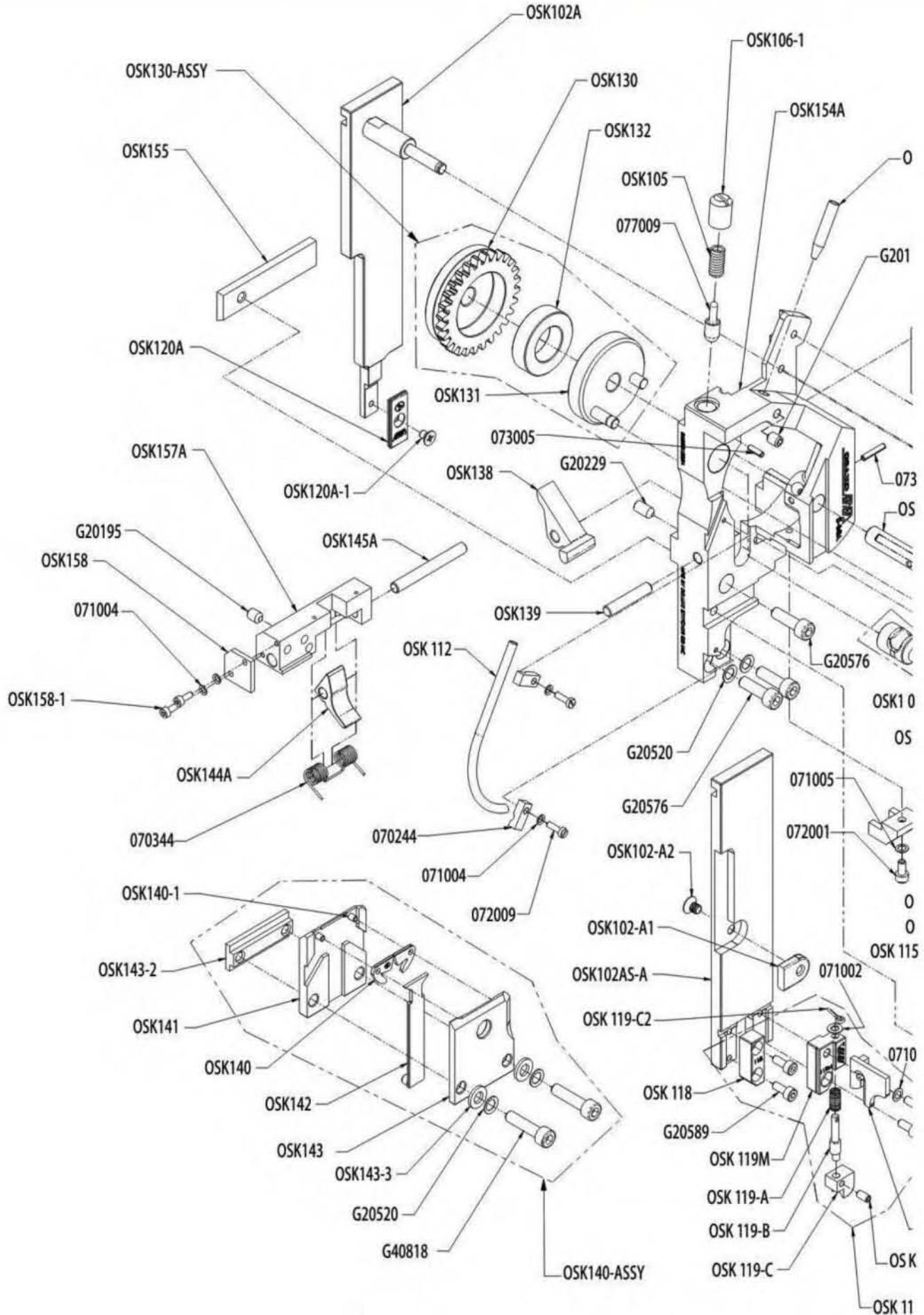
Bolt-On and Clamp-On Heads Figures 20

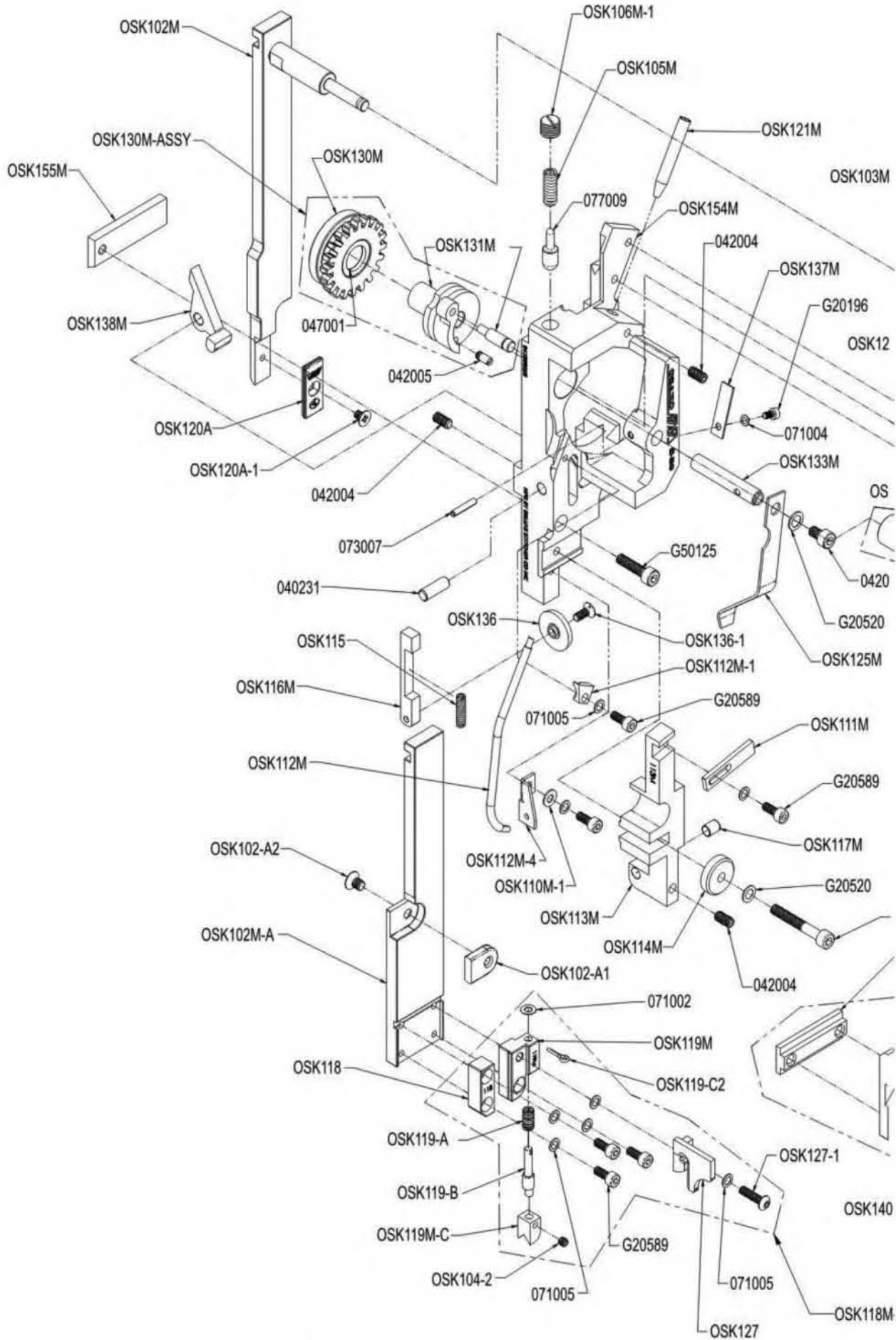




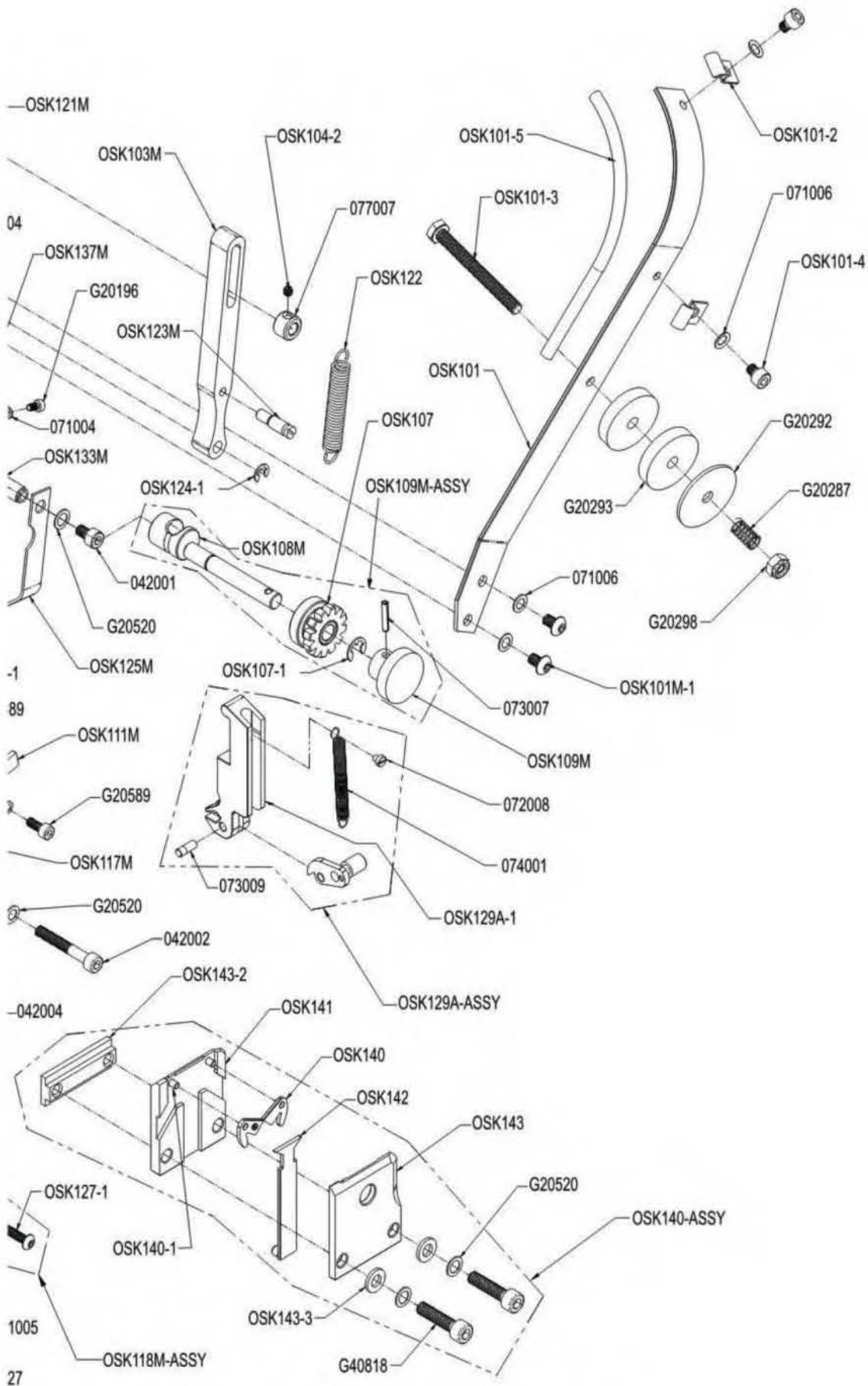
Special Components Figures 21







Spare Parts for Osako S-50





- Polar 92 4.5mmx10x930mm
- Polar 115 4.5mmx10x1160mm
- Polar 137 4.5mmx10x1380mm
- Polar 155 4.5mmx10x1560mm
- Martini 10mmx10mmx1000mm
15mmx15mmx1000mm
- Wohlenberg 15mmx15mmx1159mm
4mmx24mmx1000mm
- Yishino 21mmx21mmx215mm
21mmx21mmx330mm



Jogger Block



0890.1016.3



Blade Stand



Knife Changing Tool



Brush For Martini 3671



1576.2021.3



Brush For Martini 3670



Brush For WohLenberg



Knife Bolt



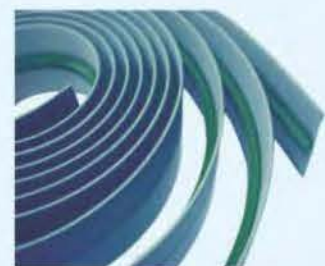
Knife Guide



Slider & Key For Polar Cutter



Air Table Valve



Belt With Bone For Cutter

Suckers



20x6x15mm



25x6x15mm



15x6x13mm



12.5x6x8mm



20x6x15mm



15x6x15mm



7.5x8.5x3mm



0316.2310.4



20x4x20mm



16x5x13mm



20x5x15mm



22x3x1mm



20x6x15mm



13x6.5x10mm



19X6X12mm



16x5x10mm



15x8x15mm



18x5x10mm



25x6x10mm



18X3X7mm



20x5x13mm



15x5x13mm



7x3x7mm



30x15x0.7mm



19x12x1.5mm



19x12x4mm



11x4x16mm



17x6x20mm



5X20皮壳机吸嘴



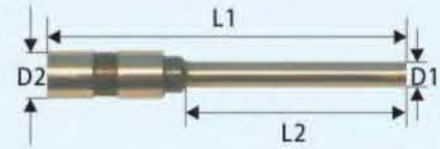
6X20皮壳机吸嘴



8X20皮壳机吸嘴



18x5x13mm



(D1/mm)	(L2/mm)	(L1/mm)	(D2/mm)	(D1/mm)	(L2/mm)	(L1/mm)	(D2/mm)
2.0	22	58	11	5.0-8.0	52	86	11
2.5	22	58	11	8.5-10.5	52	86	11
3.0-3.5	32	66	11	10.0	52	86	16
4.0-4.5	42	76	11	11.0-14.0	52	86	16

Hard Cover Parts



223654



223841



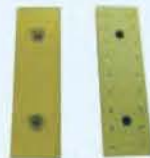
223840



H802



KOLBUS



KOLBUS



KOLBUS

032010



Sucker Holder



KOLBUS



KOLBUS



125x60x125H



150x25x150H



120x25x144H

For orders, please contact...

DAVID MANUEL

Telephone | 021 839 2609 ● Mobile | 084 434 3265 ● E-mail | david@dmbindingsolutions.co.za